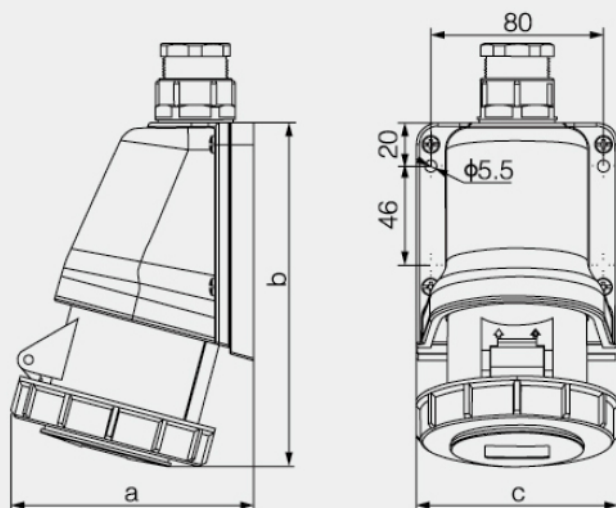


- ★ Rated current:16A
- ★ Rated voltage: 220-250V ~
- ★ No. of poles:2P+E (3P)(2P+T)(Three Poles)(3 Pole)(3 Pin)(Three Pins)
- ★ Protection degree: IP67
- ★ Housing material: Flame Retardant PA6 RoHS Reach
- Contact: nickel-plated brass RoHS Reach
- ★ Standards: IEC60309-1, IEC60309-2



Name	Surface Mounted Sockets 16A 2P+E IP67 6H
Model	VP32499
Specification	1) Rated current:16A
	2) Rated voltage: 220-250~
	3) No. of poles:2P+E (3P)
	4) Operation Temperature: -25°C~+40
Protection Class	IP67
Main Material	Housing material: PA6 RoHS; Contact: nickel-plated brass RoHS
Certificates	S,CB,CE,TUV,ISO9001:2008,RoHS,REACH
Color	Blue
Package	Polybag + 10pcs/Inner Box + 40pcs/Export carton

Dimension



Current	16A			32A		
	3	4	5	3	4	5
a	101	104	107	114	114	116
b	150	150	151	162	162	163
c	93.5	93.5	93.5	93.5	93.5	93.5
Cable size(mm ²)	1.5~4			2.5~10		

>Disassemble and assemble conveniently, safe and quickly;

>Separable and sealed type design structure for the enclosure of sockets;

>The protection degree are up to IP67;

>Only need to dismantle the cover top of the enclosure when installing.

All of our products, are manufactured according to the international standard IEC60309-1, IEC60309-2, and they are also in compliance with the national standard GB/ T11918-2001 & GB/ T11919-2001. and our products have achieved CE approval, CB test approval and S certification of SEMKO.